

## SERVICE BULLETIN

Rev. No.	Date	Author	Description
Original Issue	2-03-2016	G. Cheetham	Original Issue

**MACHINE OR VEHICLE AFFECTED:** TF Model MEWPs

**SERIAL NOS:** 1499 onwards

**RISK IDENTIFIED:** Structural Cracks in Main Boom Rest

**DESCRIPTION:** Structural cracks can occur in the lower part of the main boom rest

### REPAIR PROCEDURE

Refer to procedure below:

**Overview:** This procedure outlines the actions required to repair cracks within the boom rest of a TF basket

*Ensure all of this work is carried out in a safe working environment. All work is to be carried out by a competent tradesperson.*

#### Parts & Equipment Required:

Safety Glasses & relevant PPE  
Grinder and relevant welding equipment  
Plate 5mm

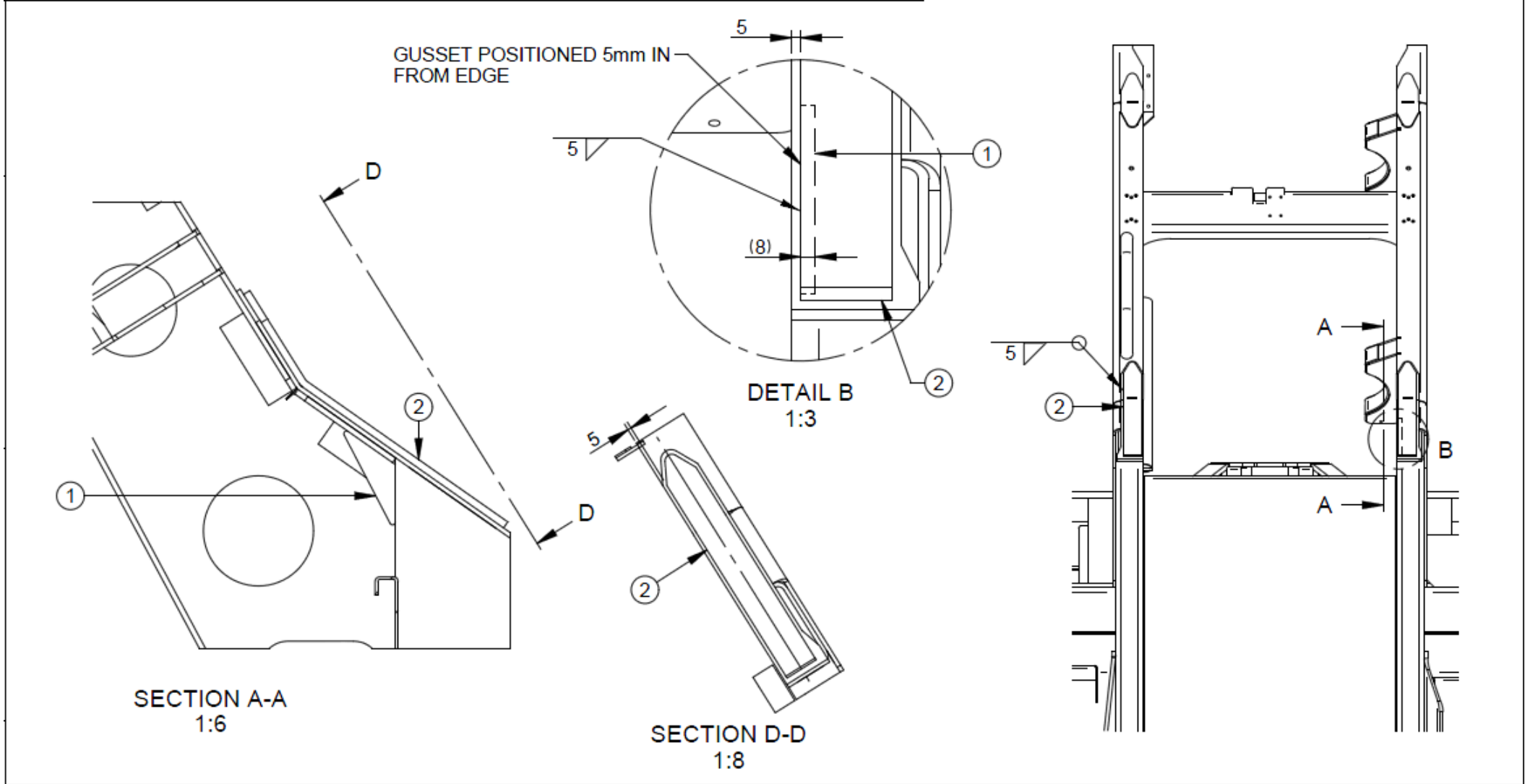
#### Procedure

**Follow the proceeding instructions for directions for repairing the affected area:**

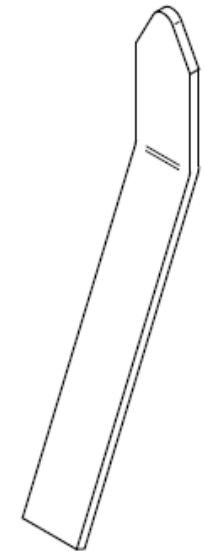
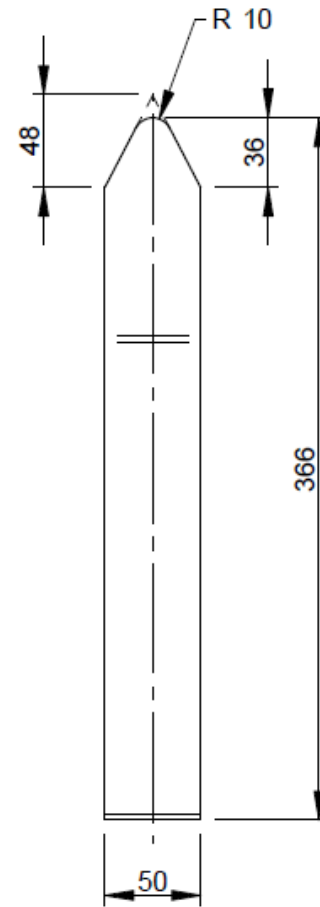
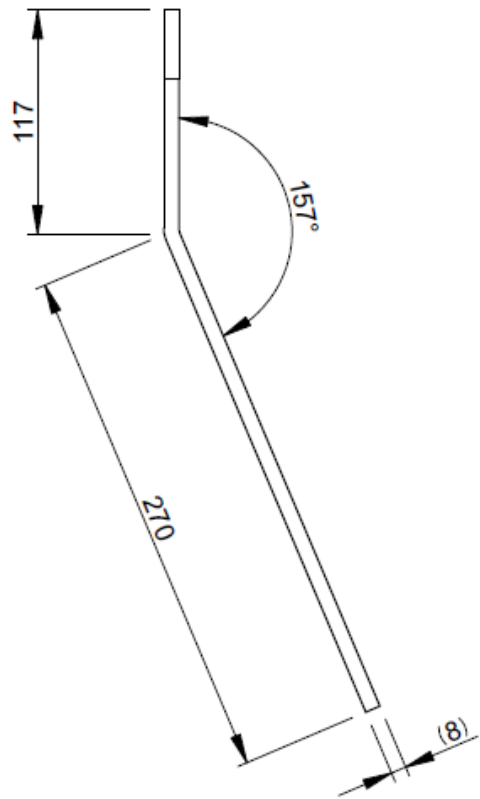
1. Drill a 3mm hole in the end of each crack
2. Grind away all welds containing any cracks
3. Re-weld all welds that were ground away
4. Consult the assembly drawing found on page 2 and mark out all areas receiving new plates. Grind away surrounding paint to ensure a clean welding surface.

5. Make 2x Top doubler plates and 2x Bottom gussets. Drawings can be found on pages 3 & 4.
6. Weld in all 4 additional plates in accordance with the assembly drawing (page 2).
  - a. The electrical cable on the RHS must be well protected during welding to avoid damage.
7. Once cool, re-paint all exposed surfaces.

Item	Dwg No.	Rev	Drawn	Description	Material Size	Material	Qty
1	N/A		No	Bottom Gusset for Boom Rest	Plate 8mm	Steel AS 3679.1-300	1
2	N/A		No	Top Doubler Plate for Boom Rest	Plate 8mm	Steel AS 3679.1-300	2



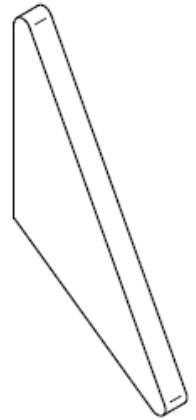
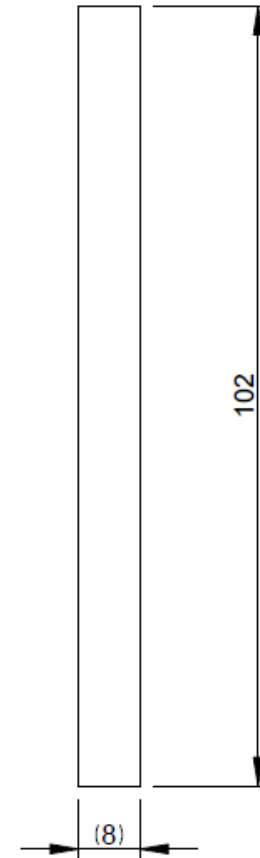
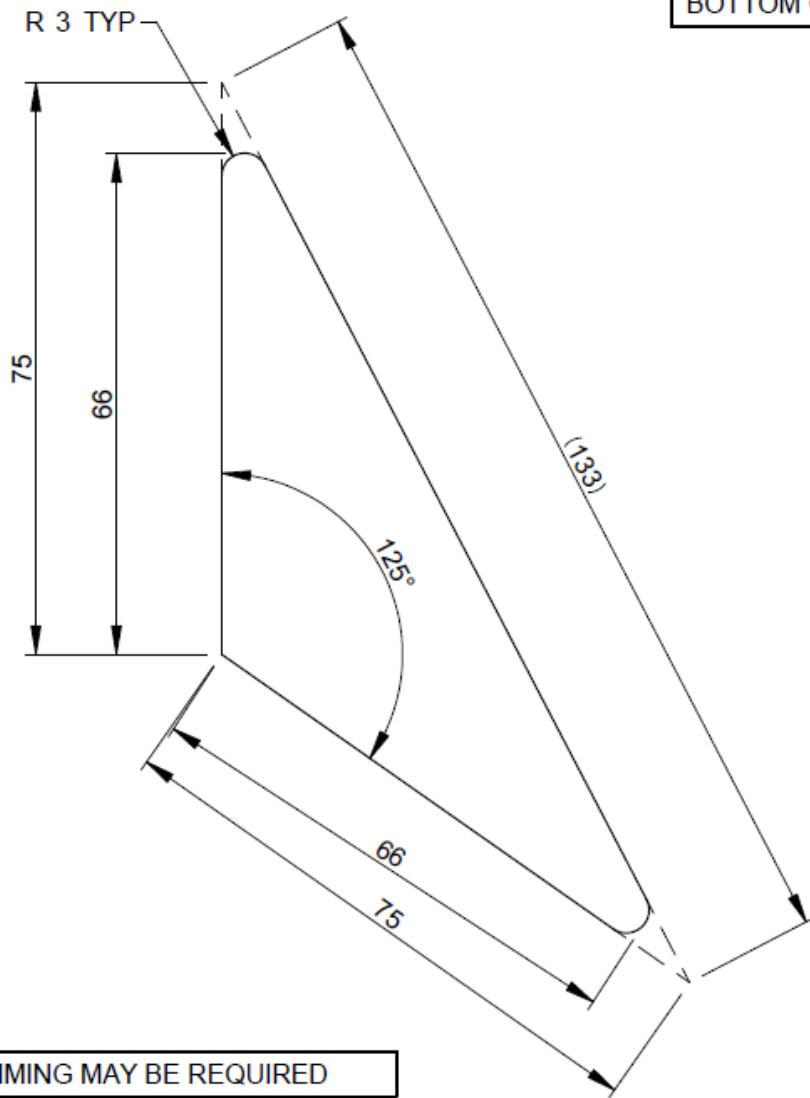
TOP DOUBLER PLATE



SCALE  
1:5

NOTE: SOME TRIMMING MAY BE REQUIRED

**BOTTOM GUSSET**



SCALE  
1:2

NOTE: SOME TRIMMING MAY BE REQUIRED

**CUSTOMER ACTION REQUIRED:**

MEWP owners must circulate this bulletin to all their maintenance personnel.

**RG ACTION REQUIRED:**

The current boom rest design will be analysed and modified as required, for new MEWPs.

Please contact Grant Cheetham, our Service & Spare Parts Manager, on (07) 5594 9844 or Mobile 0438 748 363, if further information is required.

.....  
Grant Cheetham  
Service & Spare Parts Manager